

NEW



WHEELED LOADING SHOVEL | 407/409

Max. Engine power: 64hp / 74hp Max. Operating weight: 11486 lbs / 13296 lbs



PRODUCTIVE PERFORMANCE.

Hydrostatic drive makes these models very easy to operate even for the inexperienced. That means there's less risk of overpowering the machine at a cost to fuel economy.

THE JCB 407 AND 409 ARE HIGHLY PRODUCTIVE WHEELED LOADERS WITH OPTIMAL POWER-TO-WEIGHT RATIO, MAKING THEM PERFECT TOOL CARRIERS. BOTH LARGER MACHINES ARE TIER 4 FINAL-COMPLIANT USING JUST A DIESEL OXIDATION CATALYST (DOC). THEY'RE ALSO MORE FRUGAL THAN OUTGOING TIER 3 MODELS.



JCB Diesel by Kohler.

1 JCB has worked in close collaboration with Kohler to produce the ultimate compact wheeled loader engine. No engine power is wasted on a DPF and, with peak power and torque produced at low revs, you get good fuel economy too. Our design also makes dimensions compact for small turning circles.

2 Our 407 and 409 machines are equipped with a variable speed engine crank-driven cooling fan that maintains optimal fan speed for all requirements without using any excess engine power.

3 The JCB 409 has a high speed option – this provides a 25 mph top speed.



1



2



3

Moving with the times.

4 JCB's articulated steering boasts an easy-to-use built-in sideshift – ideal for pallet handling and changing attachments.

5 So that you can tailor your wheeled loader to any application, we offer several axle options. Open diffs are ideal for hard ground, and limited slip diffs excel on soft muddy terrain. Our 100% switchable front axle diff lock on the 409, meanwhile, provides ultimate traction on muddy terrain and creates no shear forces, so won't damage the ground when it's not in use. It can also be engaged on the move and under load.

6 Power from the driveline is transferred to the ground very efficiently through an innovative chassis, with perfect harmony between all components. This makes our machines the best possible wheeled loader solution.

Versatility by the bucketload.

7 Equip your wheeled loader with our new towing option and you'll get a hitch with rear electrics and hydraulics, allowing you to trailer loads of up to 7716 lbs or carry rear attachments like salt spreaders.

8 By splitting power between the transmission and the hydraulics, our inching pedal allows precise, efficient, stepless load handling.

Our wheeled loaders are even more versatile when you use both front and rear attachments; you could, for example, combine a snow plough and rear grit spreader.



4



5



7

With our High Flow option, you get an extra 8 gallons per minute of hydraulic capacity for an enhanced flow rate.



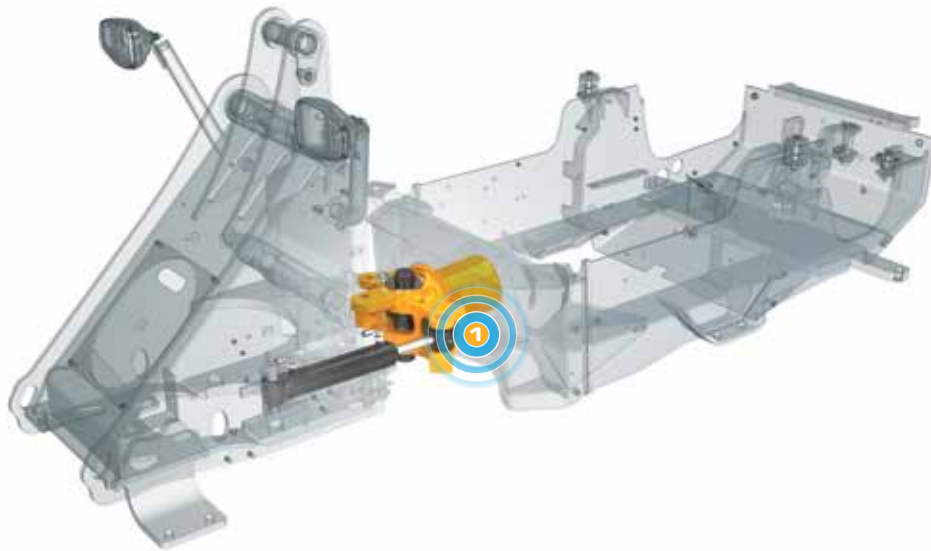
6



8

QUALITY, RELIABILITY AND DURABILITY.

AT JCB, WE UNDERSTAND THAT A WHEELED LOADING SHOVEL IS A KEY PART OF ANY ON-SITE PROCESS. THAT'S WHY THE 407 AND 409 ARE BUILT ON A FOUNDATION OF QUALITY AND RELIABILITY, ENSURING THAT THEY'LL ALWAYS BE A KEY PART OF YOUR WORKING PROCESS.



We've used only the very finest engine, driveline and axle components on the 407 and 409, from suppliers like DANA and Bosch.



Built to last.

- 1 We understand how tough materials handling can be, so our machines are developed to be highly durable. A case in point is our heavy-duty center joint, which oscillates through $\pm 40^\circ$.
- 2 These machines benefit from a strong chassis and the best possible weight distribution; this allows for the best possible absorption of external forces.



Quality design.

- 3** The JCB 407 and 409 all have rear lights that are recessed within the solid counterweight casting for good impact protection.
- 4** Hydraulic hoses are always well protected; they're neatly routed, properly clamped, and positioned well away from potential pinching spots.
- 5** We use state-of-the-art manufacturing processes like robot machining, precision paint technology and innovative assembly techniques to achieve the very highest levels of quality.
- 6** Precision machining provides high tolerances and accurate location of pins and bushes.
- 7** Finite element analysis and rig testing ensure superior structural strength and durability. Cold cell testing guarantees starting performance at temperatures as low as -4°F



COMFORT AND EASE OF USE.

In-cab noise levels on these machines are lower than outgoing models.

JCB COMPACT WHEEL LOADERS LIKE THE 407 AND 409 ARE DESIGNED TO MAKE WORK MORE STRAIGHTFORWARD. THEY'RE EASY TO ACCESS, INTUITIVE TO OPERATE, AND THEY'RE OPERATED FROM THE CENTER OF THE MACHINE FOR SUPERB VISIBILITY. AFTER ALL, A COMFORTABLE, CONFIDENT OPERATOR IS A MORE PRODUCTIVE ONE.

A comfortable operator.

- 1 The JCB 407 and 409 all benefit from a comfortable and spacious cab. The operating position is designed for optimum all-round visibility, unhindered by components like silencers.
- 2 Our tilting telescopic steering column is easy to adjust for an ergonomic driving position.
- 3 All the instruments needed to operate a JCB wheeled loader are within easy reach of the seat, so there's no need to hunt around for information while working.
- 4 With an optional fully opening right-hand window operators can enjoy increased ventilation while still being protected from dust.



In complete control.

5 A stylish, modern central dash display on the 407 and 409 combines analogue dials and a color LCD screen – this can display machine health details, service requirements, operating information and more.

6 These compact wheeled loaders are equipped with a new ergonomically designed joystick control system for comfortable and intuitive operation.



SERVICEABILITY.

A WHEELED LOADING SHOVEL NEEDS TO SPEND AS MUCH TIME AS POSSIBLE HARD AT WORK. THAT'S WHY THE JCB 407 AND 409 BENEFIT FROM INNOVATIVE DESIGN AND QUALITY COMPONENTS, ALLOWING THEM TO OFFER MAXIMUM UPTIME WITH LONG SERVICE INTERVALS.

Access all areas.

1 Our large single piece hood ensures quick and convenient access to the engine bay and cooling pack areas of your wheeled loader. All daily check points are easily accessed under the hood.

2 Operators and managers alike can access vital information like machine running times, fuel consumption and error alerts – it's all available at the touch of a button on the in-cab display or if needed via JCB's LiveLink telematics system.

3 The 407 and 409 have a cyclonic pre-filter which maximizes air filtration and extends filter element service intervals significantly.

4 Your local JCB dealer will be able to supply all parts for your 407 or 409, even JCB Diesel by Kohler engine components. All three machines also share parts with other JCB machinery, which makes everything even more readily available.

The new Kohler engine designed by JCB does not use a Diesel Particulate Filter (DPF) or SCR, requiring costly Diesel Exhaust Fluid (DEF) level maintenance or heat-resistant lube oils. Thus reducing service and running costs.



SAFETY AND SECURITY.

BECAUSE SAFETY AND SECURITY ARE PARAMOUNT ON ANY SITE, THE JCB 407, AND 409 ARE DESIGNED TO PROTECT THEIR OPERATORS, THEMSELVES, AND ANY BYSTANDERS AT ALL TIMES. GREAT VISIBILITY, ANTI-THEFT FEATURES AND NON-SLIP SURFACES ARE JUST THE START.

Safety first.

The 407 and 409 can be equipped with a new immobilizer option, which can help prevent thefts from your fleet.

1 With no exhaust after treatment, our JCB Diesel by Kohler engines are extremely compact, so there's no compromise to visibility. The sloping rear hood provides an unimpeded view, with the exhaust silencer and air intake filter both packaged out of sight.

2 We've fitted an in-cab electronic 2-stage quickhitch isolation system to prevent uncontrolled release of attachments.

3 Access steps are inclined and complemented by well positioned handles so that operators have three points of contact whenever they're entering or exiting the cab.

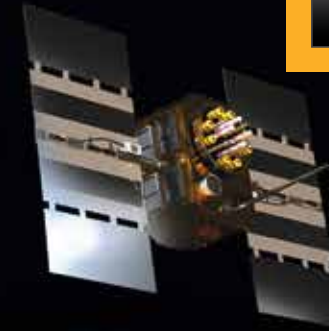


LIVELINK, WORK SMARTER.

LIVELINK IS AN INNOVATIVE SOFTWARE SYSTEM THAT LETS YOU MANAGE JCB MACHINES REMOTELY – ONLINE, BY EMAIL OR BY MOBILE PHONE. ACCESS EVERYTHING FROM MACHINE ALERTS TO FUEL REPORTS AND HISTORY INFORMATION, WITH ALL DATA STORED AT A SECURE CENTER.

Productivity and cost benefits

By providing information like idle time monitoring and machine fuel consumption, JCB Livelink helps reduce your fuel usage, saving money and improving productivity. Machine location information can help improve efficiency and perhaps even reduce insurance costs.



Maintenance benefits

Manage machine maintenance easily – accurate hours monitoring and service alerts improve maintenance planning, while real-time location data helps you manage your fleet. Critical machine alerts and maintenance history records are also available.



Security benefits

Livelink's real-time geofencing alerts tell you when machines move out of predetermined zones, and real-time curfew alerts inform you of unauthorized usage. Further benefits include real-time location information.



VALUE ADDED.

JCB'S WORLDWIDE CUSTOMER SUPPORT IS FIRST CLASS. WHATEVER YOU NEED AND WHEREVER YOU ARE, WE'LL BE AVAILABLE QUICKLY AND EFFICIENTLY TO HELP MAKE SURE YOUR MACHINERY IS PERFORMING TO ITS FULL POTENTIAL.

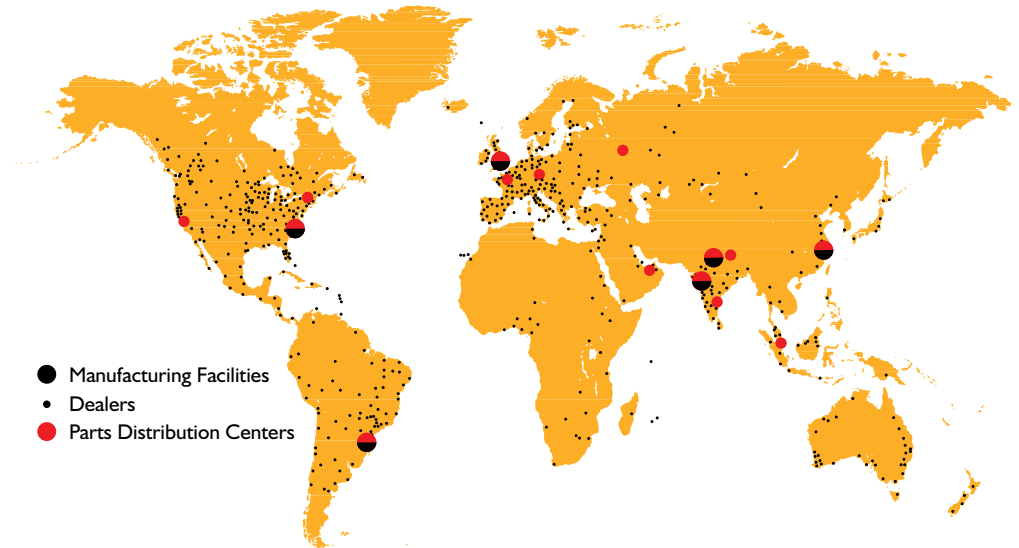


1 Our Technical Support Service provides instant access to factory expertise, day or night, while our Finance and Insurance teams are always on hand to provide fast, flexible, competitive quotes.

2 The global network of JCB Parts Centers is another model of efficiency; with 15 regional bases, we can deliver around 95% of all parts anywhere in the world within 24 hours. Our genuine JCB parts are designed to work in perfect harmony with your machine for optimum performance and productivity.

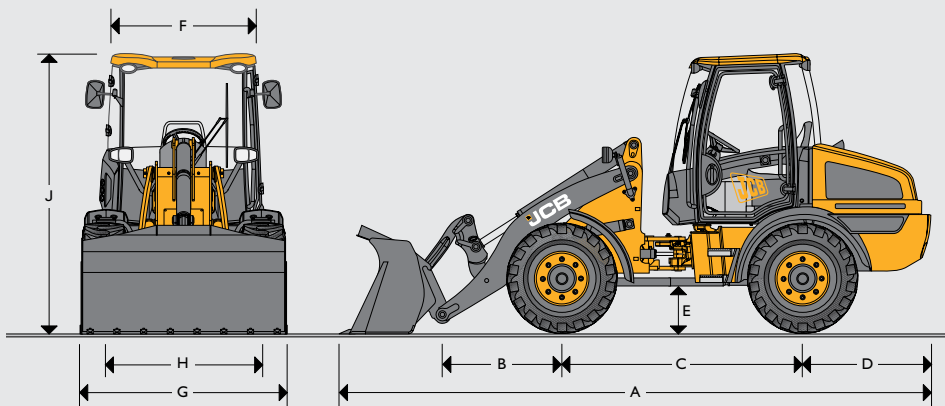


3 JCB Assetcare offers comprehensive extended warranties and service agreements, as well as service-only or repair and maintenance contracts. Irrespective of what you opt for, our Maintenance teams around the world charge competitive labor rates, and offer non-obligation quotations as well as fast, efficient insurance repair work.



Note: JCB LIVELINK and JCB ASSETCARE may not be available in your region, so please check with your local dealer.

STATIC DIMENSIONS



		407	409
A	Overall length	ft in 16' 10"	17' 11"
B	Axle to pivot pin	ft in 3' 0"	3' 8"
C	Wheel base	ft in 6' 11"	7' 3"
D	Axle to counterweight face	ft in 4' 2"	4' 3"
E	Ground clearance	ft in 1' 1"	1' 7"
F	Width over cab	ft in 4' 10"	4' 10"
G	Width over tires	ft in 5' 8"	6' 3"
H	Wheel track	ft in 4' 7"	4' 11"
J	Height over cab	ft in 8' 2"	8' 8"
	Front axle weight	lbs 3075	4079
	Rear axle weight	lbs 8087	8986
	Total weight	lbs 11162	13065
	Inside turn radius	ft in 6' 7"	6' 10"
	Maximum turn radius over shovel	ft in 13' 8"	14' 6"
	Articulation angle	degrees ±40°	±40°
	Maximum radius over tire	ft in 12' 6"	13' 1"
	Max. width across tires	ft in 5' 9"	6' 3"

407 data based on machine equipped with pin mounted 1.0yd³ bucket with toe plates and Solideal SLR4 12.5-18 tires.

409 data based on machine equipped with pin mounted 1.3yd³ bucket with toe plates and Goodyear SGL 16.0/70-20 tires.

ENGINE

		407	409
Type		4 stroke, Electronic Common Rail	4 stroke, Electronic Common Rail
Model		JCB Diesel by Kohler - KDI 2504 TCR	JCB Diesel by Kohler KDI 2504 TCR
Capacity	in ³	151	151
Aspiration		Turbocharged	Turbocharged
Cylinders		4	4
Max gross power to SAE J1995/ISO 14396	hp	64 @ 2200rpm	74 @ 2200rpm
Max torque	lbf @ 1500rpm	221	221
Emissions		T4F	T4F

TRANSMISSION

		407	409
Type		Hydrostatic	Hydrostatic
Model		Rexroth A6VM - 2 speed	Rexroth A6VM - 2 speed
Model (40kph options)		n/a	Rexroth A6VM - 3 speed
Low range	mph	3.7	3.7
High range	mph	12.4	12.4
High speed (optional)	mph	n/a	24.9

AXLES

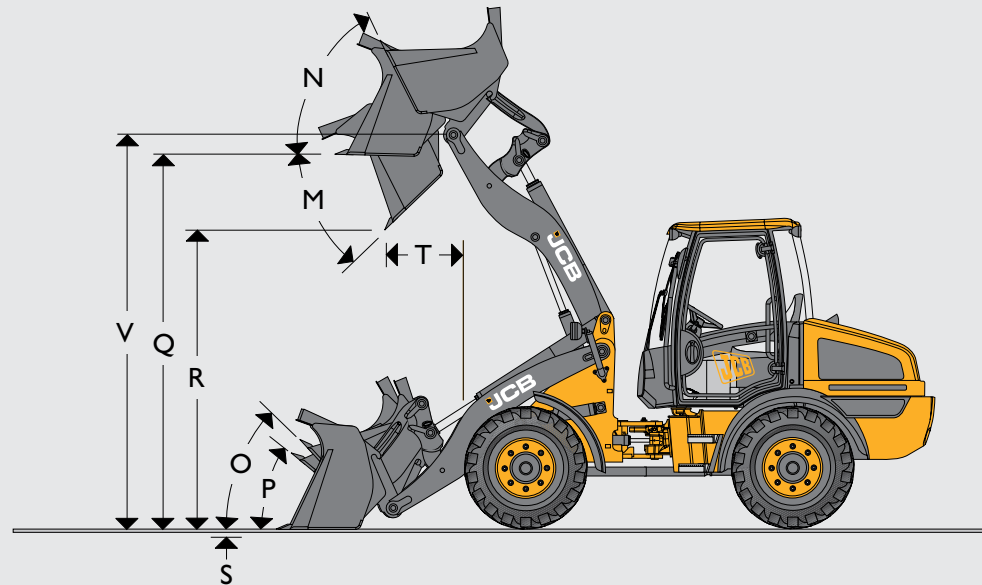
		407	409
Type		Straight beam	Straight beam
Make and model		Dana 111	Dana 111

STEERING

Hydraulic power steering system emergency steering.

LOADER DIMENSIONS

Model (assumes machine is fitted with Solideal SLR4 12.5-18 tires)		407					409				
Bucket type		General purpose	General purpose	Light duty	Light duty	6 in 1 clam shovel	General purpose	General purpose	Light duty	Light duty	6 in 1 clam shovel
Bucket equipment		Teeth or toeplate		Toeplate		Teeth or toeplate	Teeth or toeplate		Toeplate		Teeth or toeplate
Bucket capacity (SAE heaped)	yd ³	1.0	1.3	1.6	1.8	1.0	1.3	1.6	1.8	2.1	1.2
Bucket width	ft in	6' 3"	6' 3"	6' 3"	6' 3"	6' 3"	6' 5"	6' 5"	6' 11"	7' 3"	6' 5"
Bucket weight	lbs	633	710	778	847	959	732	789	880	957	961
Maximum material density	kg/m ³	128	101	82	70	131	122	100	84	72	130
Tipping load straight	lbs	9531	9359	9147	9057	9098	10104	9927	9733	9561	8444
Tipping load full turn	lbs	7333	7198	7039	6967	6997	8042	7901	7745	7610	7732
Payload	lbs	3666	3600	3519	3483	3499	4021	3951	3871	3803	3867
Maximum breakout force	lbf	9419	8206	7239	6677	9419	12095	10476	9689	9352	11420
M Dump angle maximum	degrees	45	45	45	45	45	45	45	45	45	45
N Roll back angle full height	degrees	56	56	56	56	56	63.6	63.6	63.6	63.6	63.6
O Roll back at carry	degrees	54	54	54	54	54	53.1	53.1	53.1	53.1	53.1
P Roll back at ground level	degrees	42	42	42	42	42	41	41	41	41	41
Q Load over height	ft in	9' 10"	9' 10"	9' 10"	9' 10"	9' 10"	10' 6"	10' 6"	10' 6"	10' 6"	10' 6"
R Dump height (45 deg dump)	ft in	8' 2"	7' 11"	7' 8"	7' 6"	8' 2"	8' 7"	8' 4"	8' 2"	8' 0"	8' 7"
S Dig depth	ft in	0' 4"	0' 4"	0' 4"	0' 4"	0' 4"	0' 2"	0' 2"	0' 2"	0' 2"	0' 2"
T Reach at dump height	ft in	2' 6"	2' 9"	3' 0"	3' 2"	2' 6"	1' 9"	2' 0"	2' 2"	2' 4"	1' 9"
Reach maximum (45deg dump) – horizontal arm	ft in	4' 11"	4' 10"	5' 4"	5' 6"	4' 11"	1' 9"	2' 0"	2' 2"	2' 4"	1' 9"
Operating weight (includes 80Kg operator and full fuel tank)	lbs	11162	11237	11305	11308	11486	13067	13125	13215	13292	13297
V Pin height	ft in	10' 3"	10' 3"	10' 3"	10' 3"	10' 3"	10' 11"	10' 11"	10' 11"	10' 11"	10' 11"



TIRE SIZE – 406/407

Tire size	Manufacturer	Type	Op weight (lbs)	Dimensions	
				Vertical (in)	Width (in)
335/80 R18	Dunlop	SPT9 EM	+90	-0.2	0
365/70 R18	Dunlop	SPT9 EM	+141	-0.6	+2.1
405/70 R18	Dunlop	SPT9 EM	+207	+0.4	+4.4
335/80 R20	Dunlop	SPT9 MPT	+170	+0.8	-0.8
12.5/80-18	Goodyear	SGL	-26	-0.6	-0.8
12.5-20	Goodyear	MPT	+35	+1.1	-0.6
335/80 R18	Michelin	XZSL	+181	+0.4	+0.6
340/80 R18	Michelin	XMCL	+159	-0.2	+1.0
340/80 R18	Nokian	TRI 2	+123	0	+0.5
12.5-18	Solideal	SLR4	0	0	0
12.5/80-18	Solideal	SLR4	0	-0.6	-0.6

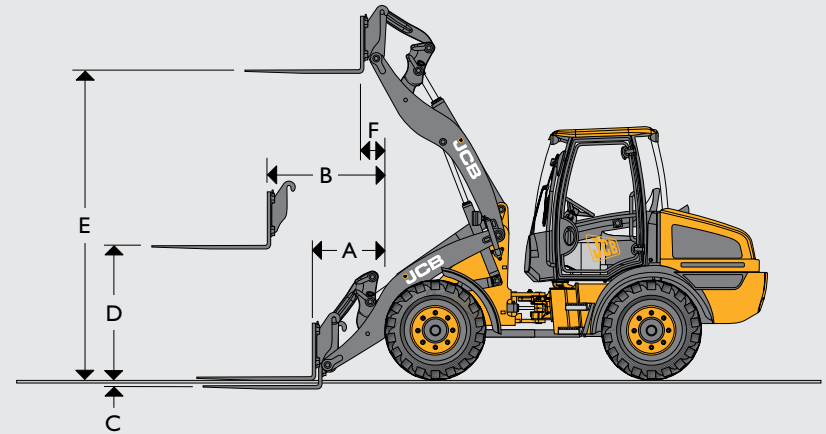
Loader dimensions quoted on 12.5-18 Wheels and Tires.

TIRE SIZE – 409

Tire size	Manufacturer	Type	Op weight (lbs)	Dimensions	
				Vertical (in)	Width (in)
405/70 R18	Dunlop	SPT9 EM	-124	-0.9	-0.3
335/80 R20	Dunlop	SPT9 MPT	-161	-0.1	-3.3
365/80 R20	Dunlop	SPT9 MPT	-122	-0.7	-2.0
405/70 R20	Dunlop	SPT9 MPT	-30	+0.4	-0.3
12.5-20	Goodyear	MPT ISG	-319	-0.2	-3.1
16.0/70-20	Goodyear	SGL	0	0	0
375/75 R20	Michelin	XZSL	-2	-0.2	-0.5
380/75 R20	Michelin	XMCL	-28	-0.2	-0.6
400/70 R20	Michelin	XMCL	0	-0.2	+0.2
405/70 R20	Michelin	XZSL	+55	+0.7	+0.4
420/75 R20	Michelin	XMCL	+84	+0.9	+0.4
340/80 R18	Nokian	TRI 2	-182	-1.3	-2.6
360/80 R20	Nokian	TRI 2	+0.4	+0.4	-2.0

Loader dimensions quoted on 16.0/70-20 Wheels and Tires.

LOADER DIMENSIONS – FORK FRAME WITH FORKS



		Parallel fork		
		407	409	
	Fork carriage width	ft in	4' 5"	4' 5"
	Length of tines	ft in	3' 11"	3' 11"
A	Reach at ground level	ft in	2' 4"	2' 5"
B	Reach at arms horizontal	ft in	4' 1"	3' 11"
C	Below ground level	ft in	0' 3"	0' 1"
D	Arms, horizontal height	ft in	4' 8"	4' 7"
E	Arms, maximum height	ft in	9' 11"	10' 7"
F	Reach at maximum height	ft in	1' 8"	0' 9"
	Payload*	lbs	4722	5216
	Tipping load straight	lbs	7328	8349
	Tipping load full turn (40°)	lbs	5732	6409
	Attachment weight	lbs	421	421

* At the center of gravity distance 20 inches. Based on 80% of FTTL as defined in ISO 8313.

Manual fork spacings at 2 inch increments. Fork section 4 x 2 inches.

ELECTRICAL SYSTEM		
		407/409
System voltage	Volt	12
Alternator output	Amp hour	80
Battery capacity	Amp hour	100

HYDRAULICS			
		407	409
Pump type		Single Gear Pump	Single Gear Pump
Pump max. flow	gal/min	16.91	23.51
Pump max. pressure	psi	3336	3626
Hydraulic cycle times at max. engine			
Arms raise (full bucket)	Seconds	4.9	4.9
Bucket dump (full bucket)	Seconds	3.5	4.1
Arms lower (empty bucket)	Seconds	3.1	3
Total cycle	Seconds	11.5	12

SERVICE FILL CAPACITIES		
		407/409
Hydraulic system	gallons	18.5
Fuel tank	gallons	21.1
Engine oil sump	gallons	3.0
Axle oil (front)	gallons	1.2
Axle oil (rear)	gallons	1.6

CAB	In-cab noise level – 407: 78dB(A), 409: 76dB(A). External noise 101 dB(A).
------------	--

STANDARD EQUIPMENT		
	407	409
GENERAL MACHINE FEATURES	Parallel lift geometry, JCB Hydraulic Quickhitch, articulated steering, front and rear fenders, one piece opening hood, recovery hitch, lifting lugs, temperature controlled engine cooling fan.	
TRANSMISSION	Two speed, neutral start, inching function, forward/reverse switch on joystick control lever.	
BRAKES	In board oil immersed brakes with combined handbrake; cable operated parkbrake.	In board oil immersed brakes with combined handbrake; spring actuated hydraulic released parkbrake.
ELECTRIC	Full Road Lighting, Direction Indicators and Battery Isolator.	
HYDRAULICS	Single lever servo control, gear pump with priority steer, emergency steer back up, flow sharing.	
CAB	ROPS/FOPS safety structure, fully adjustable seat, interior light, adjustable tilt steering column, safety glass, LCD display, front and rear screen wash/wipe, 3 speed heater fan with replaceable filters, radio aperture (high spec cab only), sun visor.	

OPTIONAL EQUIPMENT	
407/409	
GENERAL MACHINE FEATURES	HBCV, 4th Spool aux circuit, LSD axles, locking differential front axle with on the fly operation (409 only), immobilizer, livelink, under hood battery isolator, worklights, bio oil, AC, constant flow, high flow plus 7.92 gpm., SRS, 25mph on 409, Rockinger Tow hitch 3.5t, rear aux. hydraulics, rear electrical connection, creep speed, shovel level indicator, stowage box, fully opening RH window with locks. See Dealer for full list.



ONE COMPANY, OVER 300 MACHINES.

Your nearest JCB Dealer

Wheeled Loading Shovel 407/409

Max. Engine power: 64hp / 74hp Max. Operating weight: 11486 lbs / 13296 lbs

JCB North American – Headquarters

Savannah, 2000 Bamford Blvd., Savannah, Georgia, 31322 Tel: (912) 447-2000

Download the very latest information on this product range at www.jcb.com

JCB inc. All rights reserved. No part of this publication may be reproduced, stored in a retrieval system, or transmitted in any form or by any other means, electronic, mechanical, photocopying or otherwise, without prior permission from JCB inc. All references in this publication to operating weights, sizes, capacities and other performance measurements are provided for guidance only and may vary dependant upon the exact specification of machine. They should not therefore be relied upon in relation to suitability for a particular application. Guidance and advice should always be sought from your JCB Dealer. JCB reserves the right to change specifications without notice. Illustrations and specifications shown may include optional equipment and accessories. The JCB logo is a registered trademark of J C Bamford Excavators Ltd.

9999/5809 en-US 09/14 Issue 1

 /JCBNA
  /JCBNA
  /JCBNORTHAMERICA

