

NEW



TELESKID | 3TS-8W/ 3TS-8T

Gross rated power: 55kW (74hp) | Rated operating capacity at full extension: 611-732kg | Maximum load height: 4.05m



NOW YOU CAN >>>



Introducing a unique machine with endless possibilities. The new JCB Teleskid is the first skid steer and compact track loader with a telescopic boom, it can reach higher, further and deeper than any other similar machine on the market and can access areas you wouldn't have thought possible.

JCB TELESKID



LIMITLESS VERSATILITY.

THE NEW JCB TELESKID IS THE ONLY SKID STEER AND COMPACT TRACK LOADER WITH A VERTICAL REACH CAPABILITY OF OVER FOUR METRES AND A FORWARD REACH OF OVER TWO METRES, ALLOWING IT TO GO PLACES AND DO THINGS OTHER SKID STEERS CAN'T.

Reach higher.

- 1 Reaching to over 4 metres in height, the JCB Teleskid allows for quick and easy loading of lorries without needing a ramp.
- 2 At full extension the skid steer loader has a rated operating capacity of 611kg while the tracked version offers an impressive 732kg capacity, enabling heavy items to be placed at extended reach with ease.
- 3 JCB Teleskid's unique design allows you to quickly and easily load over kerbs and other obstructions.
- 4 A forward reach of over 2m allows reaching through and over obstacles with a skid steer loader or compact track loader for the first time.
- 5 With the JCB Teleskid, now you can reach roughly 1 metre below ground for the first time, letting you rip out trees and roots or carry out ditching work when laying pipes.

NOW YOU CAN >>



2



1



3



4



5

Work smarter.

- 6** The first skid steer and compact track loader with both vertical and radial lift. This is achieved through the telescoping boom on a radial lift chassis.
- 7** A standard hydraulic flow rate of 90 lpm allows you to operate attachments when fully extended. While additional 125 lpm high flow couplers allow safe operation of high flow attachments when the boom is fully retracted.
- 8** A zero turning radius allows you to work productively in confined areas such as waste bays, barns or sheds with ease.
- 9** SAE/ISO standard quickhitch allows for compatibility with any skid steer loader attachments.
- 10** The quickhitch is fitted with a single-point quickhitch lock and unlock flag for increased visibility to ensure that the attachment is safely locked in place.

JCB Teleskid is the only skid steer and compact track loader on the market with true bi-directional and extendable parallel lift.



NOW YOU CAN >>



GREATER PRODUCTIVITY.

THE JCB TELESKID CAN DO THE WORK OF FOUR MACHINES ALL IN ONE - A FORKLIFT, TELESCOPIC HANDLER, COMPACT WHEEL LOADER AND OF COURSE A SKID STEER LOADER, PROVIDING UNBEATABLE PRODUCTIVITY.

Achieve more.

- 1 With an extensive range of compatible attachments available, the JCB Teleskid allows for maximum productivity on site, achievable through the use of only one machine for a variety of tasks.
- 2 Proven JCB EcoMAX engine gives increased performance at low engine speed for improved cycle times and tractive effort. No DPF means no regeneration and loss of productivity.
- 3 Increase turnaround time through now having the ability to load and unload a trailer from a single side with this unique skid steer loader or compact track loader.
- 4 Together the JCB Smoothride System and 2-speed transmission, ensures greater load retention and operator comfort for faster loading cycles and roading time.

NOW YOU CAN >>>



2



1



3



4

UNRIVALED STRENGTH AND STABILITY.

WITH A PROVEN HIGH STRENGTH STEEL BOOM MOUNTED ON A SINGLE-PIECE FULLY WELDED CHASSIS AND RELIABLE COMPONENTS, THE JCB TELESKID HAS BEEN CONSTRUCTED TO MAXIMISE STRENGTH AND EARNING POTENTIAL.

Built to last.

- 1 With a pin height of 4.05 metres, the JCB Teleskid is able to easily load at height while maintaining stability throughout the machine's lifting arch.
- 2 The JCB telescopic boom has a proven track record on over 200,000 machines. The extreme testing programme includes prolonged high stress loading, cold climate testing and repeated transmission use over thousands of cycles.
- 3 The boom is mounted on a single-piece fully welded chassis to maximise strength and minimise weight.
- 4 A design incorporating a single piece of 'u' pressed steel provides for a high strength boom that has a minimal number of joints and less stress points. Centralised lift and extension rams evenly distribute load stresses. Rams are held in place by keyhole castings for greater structural integrity.

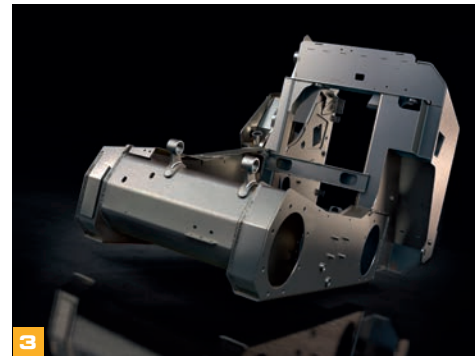
NOW YOU CAN >>>



1



2



3



4

TOTAL COMFORT AND CONTROL.

WITH EASY SIDE DOOR ENTRY, THE LARGEST CAB ON THE MARKET AND ELECTRIC OVER HYDRAULIC CONTROLS, THE JCB TELESKID OFFERS UNRIVALLED COMFORT AND CONTROL.

Unrivalled access.

1 JCB is the only manufacturer that offers a side entry skid steer and compact track loader. Aside from the more obvious safety benefit, this mode of entry allows for a door that is more than double the size of that offered by competition.

2 33% larger than the average cab puts it in a class of its own in terms of improved ergonomics and operator comfort.

3 Arm rests ergonomically positioned on the seat provide support when operating the boom controls, with storage space and a 12V socket located in the left arm rest.

4 A fully adjustable heated air suspension seat comes as standard on the JCB Teleskid and provides maximum comfort for the operator.

NOW YOU CAN >>



Maintain control.

- 5** Inside the cab, the easily accessible right hand side control panel features machine diagnostics, electric throttle and ignition switch.
- 6** The left hand instrumentation, also at eye level, includes the integrated standard radio and climate control functions.
- 7** The JCB Teleskid also comes standard with switchable ISO/H-pattern controls to suit operator preference.
- 8** Low effort electro hydraulic controls make operating a Teleskid easy. While the 7-way multi-function joystick makes it easy to control a wide range of hydraulically driven attachments.



JCB's MyChoice Control Software allows adaptation of the joysticks responsiveness to suit operator preference. Three settings allow operators to tailor the sensitivity of joystick movement to match the way in which they work.

NOW YOU CAN >>



THE WORLD'S SAFEST.

WITH A SIDE DOOR FOR SAFE ENTRY AND EXIT INSTEAD OF HAVING TO CLIMB OVER ATTACHMENTS OR UNDER AN UNSUPPORTED BOOM, THE JCB TELESKID PROVIDES UNPARALLELED OPERATOR SAFETY.

Safety first.

- 1** The side door access allows for safe entry and exit without having to climb over potentially dangerous attachments as on a competitor machine with front entry.
- 2** Standard electronic quick hitch with a fully enclosed tilt cylinder provides less material build up and better load visibility.
- 3** Optional dealer fit flashing beacon and front screen guard available for increased safety and security.

NOW YOU CAN >>>

1



GREATER VISIBILITY.

IN ADDITION TO THE OUTSTANDING SITE SAFETY PROVIDED THROUGH THE UNIQUE SIDE ENTRY DESIGN, THE JCB TELESKID ALSO OFFERS UNRIVALED VISIBILITY BOTH AROUND THE MACHINE AND TO THE ATTACHMENT.

Visibly better.

- 1 Laminate side glass instead of the usual mesh further contributes to better all-round visibility.
- 2 JCB's Teleskid mono-boom design provides an exceptional 270° field of vision.
- 3 This unique boom design provides exceptional all-round visibility and is 60% better compared to conventional twin arm design machines. Eye-level rear view mirror provides easy rear visibility.

NOW YOU CAN >>>



1

Ordinary Skid Steer 165° Visibility



2

JCB Skid Loader 270° Visibility



2



3

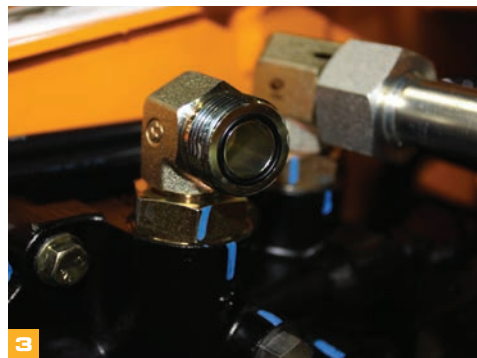
UNBEATABLE SERVICEABILITY.

WITH A TILTING CAB DESIGN AND LARGE REAR SERVICE DOOR, DAILY MAINTENANCE POINTS AND ENGINE BAY ARE EASILY ACCESSIBLE FOR QUICK SERVICING.

Simple servicing.

- 1 Large rear service door provides easy access to all daily maintenance points and engine bay. All daily checks and greasing can be done at ground level.
- 2 A tilting cab design operated by one person gives excellent access for more detailed maintenance, without needing to raise the boom.
- 3 O-ring face seal hydraulic fittings means less leaks and therefore, less maintenance downtime.
- 4 A standard automatic reverse fan activates periodically or can be manually overridden from the cab to keep vital elements such as the cooling pack free of debris.
- 5 Air intake scavenge system as standard keeps debris build-up in the air filter to a minimum helping extend service intervals.

NOW YOU CAN >>>



VALUE ADDED.

JCB'S STRONG AND FAST GROWING GLOBAL DEALER NETWORK IS READY TO BACK YOU UP. WHATEVER YOU NEED AND WHEREVER YOU ARE, WE'LL BE AVAILABLE QUICKLY AND EFFICIENTLY TO HELP MAKE SURE YOUR MACHINERY IS PERFORMING TO ITS FULL POTENTIAL.



1

1 Our Technical Support Service provides instant access to factory expertise, day or night, while our Finance and Insurance teams are always on hand to provide fast, flexible, competitive quotes.

2 The global network of JCB Parts Centres is another model of efficiency; with 16 regional bases, we can deliver around 95% of all parts anywhere in the world within 24 hours. Our genuine JCB parts are designed to work in perfect harmony with your machine for optimum performance and productivity.

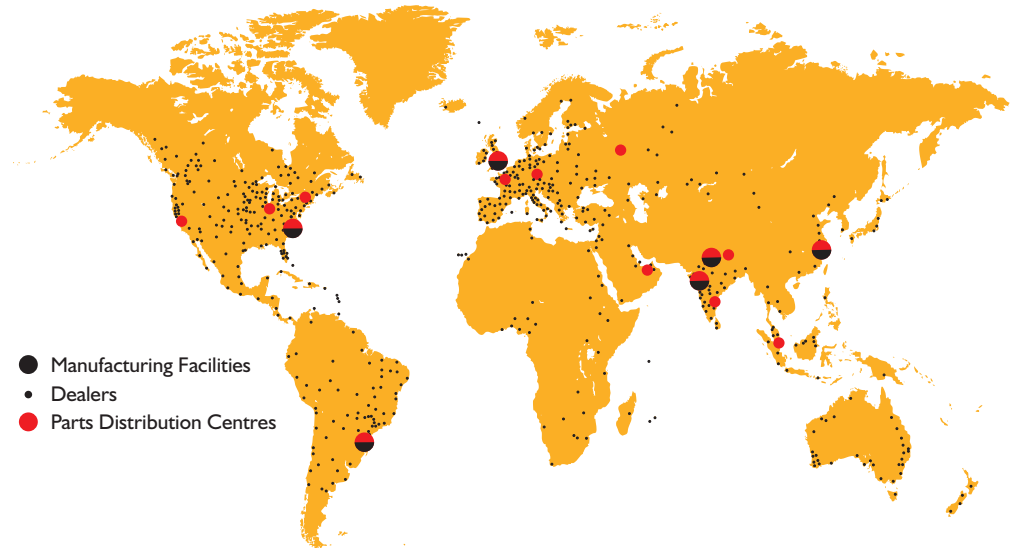


2

3 JCB Assetcare offers comprehensive extended warranties and service agreements, as well as service-only or repair and maintenance contracts. Irrespective of what you opt for, our maintenance teams around the world charge competitive labour rates, and offer non-obligation quotations as well as fast, efficient insurance repair work.

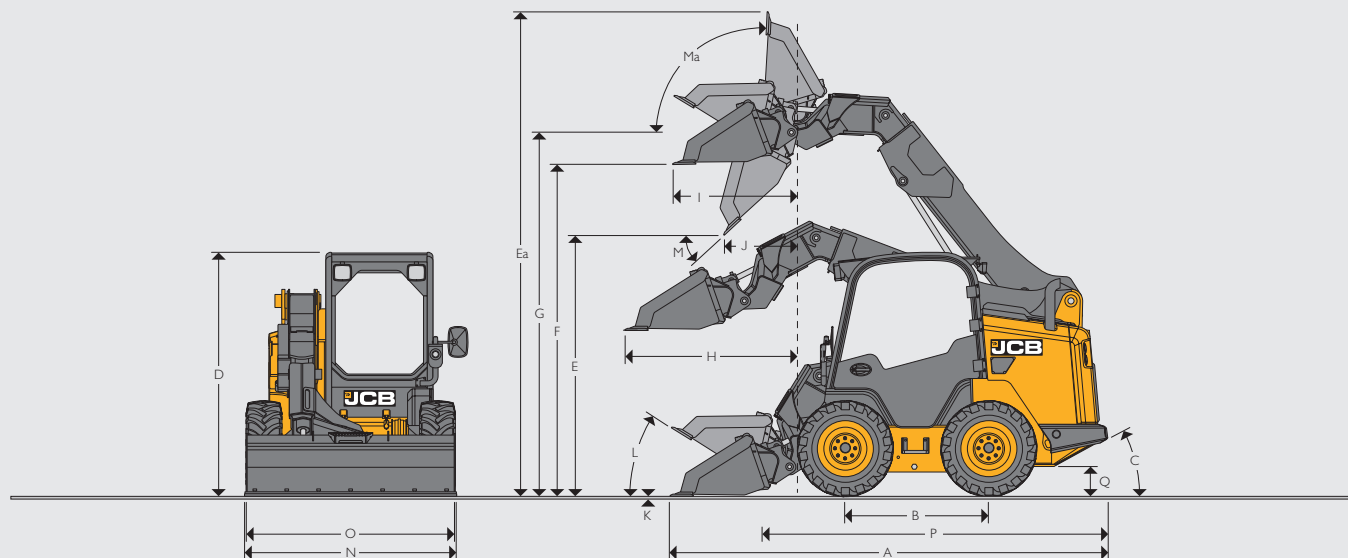


3



Note: JCB LIVELINK and JCB ASSETCARE may not be available in your region, so please check with your local dealer.

STATIC DIMENSIONS



MACHINE MODEL			3TS-8W		3TS-8T	
			Retracted Boom	Extended Boom	Retracted Boom	Extended Boom
A	Overall length	m	3.8	4.9	3.8	4.9
B	Wheelbase	m		1.25	2.1	2.1
C	Angle of departure	degrees		29	29	
D	Overall height	m		2.1	2.1	
E	Dump height	m	2.3	3.1	2.4	3.2
Ea	Crowd height	m	4.1	5.1	4.1	5.0
F	Loadover height	m	2.94	3.7	2.9	3.8
G	Height to hinge pin fully raised	m	3.2	4.05	3.2	4.03
H	Reach @ ground level	m	1.1	2.25	1.1	2.25
I	Max. Reach @ full Hheight	m	1.07	1.7	1	1.7
J	Reach @ full height - fully dumped	m	0.6	1.4	0.7	1.3
K	Dig depth (toe plate horizontal) clearance	mm		-10	-10	
L	Rollback @ ground	degrees		30	30	
M	Dump angle	degrees		42	42	
Ma	Max. rollback angle	degrees		94	94	
N	Shovel width - standard	m		1.85	1.85	
O	Width over tyres - standard	m		1.8	2.0	
	Width over tyres - optional	m		1.92		
P	Length without attachment	m		3.02	3.02	
Q	Ground clearance	mm		238	238	
	Rated operating capacity 35%	kg				732
	Rated operating capacity 50%	kg		611		
	Shovel capacity - standard	m ³		0.43		0.43
	Shovel capacity - optional	m ³		0.36		0.36

TURNING RADIUS			
MACHINE MODEL		3TS-8W	3TS-8T
Shovel corner radius	m	2.3	
Quickhitch radius	m	1.5	1.7
Rear chassis radius	m	1.76	

SAE OPERATING WEIGHT			
Cab	kg	4472	5722
Canopy	kg	4412	5662

ENGINE			
Engine model	EcoMAX TCAE-55		
Displacement	cm ³	4399	
Fuel	Diesel		
Cooling	Water		
Aspiration	Turbo		
Gross power @ 2400 rpm SAE J1995	kW (hp)	55 (74)	
Gross torque @ 1200 rpm	Nm	400	
Emission certification	EPA-T4F (EU St3B)		
Engine oil service interval hours	500		
Variable speed hydraulically driven fan	YES		

SERVICE CAPACITIES			
Hydraulic system (including tank)	litres	55	
Fuel tank	litres	103	
Engine coolant	litres	22	
Engine oil	litres	14	
LH chaincase (wheeled machines only)	litres	11.7	
RH chaincase (wheeled machines only)	litres	11.7	

HYDRAULIC PERFORMANCE			
R.O.C extended	kg	611	732
Tipping load extended	kg	1222	2092
Loader lift extended	kg	1570	1757
Shovel tilt extended	kg	2968	2956

HYDRAULICS			
Pump flow @ 2300 rpm	lpm	90	
Main relief pressure	psi	3335	
HYD HP low flow	hp	46.7	
HYD HP high flow	hp	64.2 hp	
Optional high flow	lpm	125	

ELECTRICS			
Starter motor	kW (hp)	4.2 (5.63)	
Battery	V/Ah	12 / 109	
Alternator	amps	95	

TRANSMISSION			
MACHINE MODEL		3TS-8W	3TS-8T
Single speed	km/h	10.9	9.2
Two speed	km/h	10.9 / 20	7.7 / 12.6

TYRES / TRACKS			
Standard		12 x 16.5 - 10 PR	450mm traction lug
Available options		Standard Track - Wide track	
		Lifemaster Industrial Pneumatic	
		33 / 15.5 x 16.5 Extra Flotation	
		Brawler	
		Solid Industrial	



ONE COMPANY, OVER 300 MACHINES.

Your nearest JCB dealer

TELESKID 3TS-8W/ 3TS-8T

Gross rated power: 55kW (74hp) Rated operating capacity at full extension: 611kg - 732kg Maximum load height: 4.05m

JCB Sales Limited, Rokeceter, Staffordshire, United Kingdom ST14 5JP.

Tel: +44 (0)1889 590312 Email: salesinfo@jcb.com

Download the very latest information on this product range at: www.jcb.com

©2009 JCB Sales. All rights reserved. No part of this publication may be reproduced, stored in a retrieval system, or transmitted in any form or by any other means, electronic, mechanical, photocopying or otherwise, without prior permission from JCB Sales. All references in this publication to operating weights, sizes, capacities and other performance measurements are provided for guidance only and may vary dependant upon the exact specification of machine. They should not therefore be relied upon in relation to suitability for a particular application. Guidance and advice should always be sought from your JCB Dealer. JCB reserves the right to change specifications without notice. Illustrations and specifications shown may include optional equipment and accessories. All images are correct at time of print. The JCB logo is a registered trademark of J C Bamford Excavators Ltd.

