

SPECIFICATION

STAGE V



TELETRUK | 30-19D/30-20D HL/30-23D

Max capacity: 3000kg | Max capacity at 2m forward reach: 1900-2300kg | Max lift height: 5150mm

JCB

REACH FURTHER WITH JCB TELETRUK.

The NEW Stage V JCB Teletruk range provides unrivalled forward visibility, forward reach and large lift capacity, dramatically improving safety, while saving time, space and money. Offering two 2WD options (30-19D & 30-20D HL) and one 4WD option (30-23D), the diesel Teletruk range is built to reach further in logistics, construction, waste and agriculture.

REACH FOR PRODUCTIVITY.

The Teletruk is designed to make the most of your time and space, with its unique telescopic boom, small turning circle and single side loading.



REACH FOR GREATER SAFETY.

With superb visibility, precision control and unique design features, the Teletruk reaches new heights of safety, making all operators feel in total control.

REACH FOR GREATER VERSATILITY.

Four wheel drive delivers four tonnes of tractive effort, to support bucket work, travelling over rough ground and up to 21% gradients.



REACH FOR GREATER EFFICIENCY.

The JCB Teletruk's unique boom enables the operator to reach into the second or third row of materials improving efficiency and safety.

REACH FOR GREATER COMFORT.

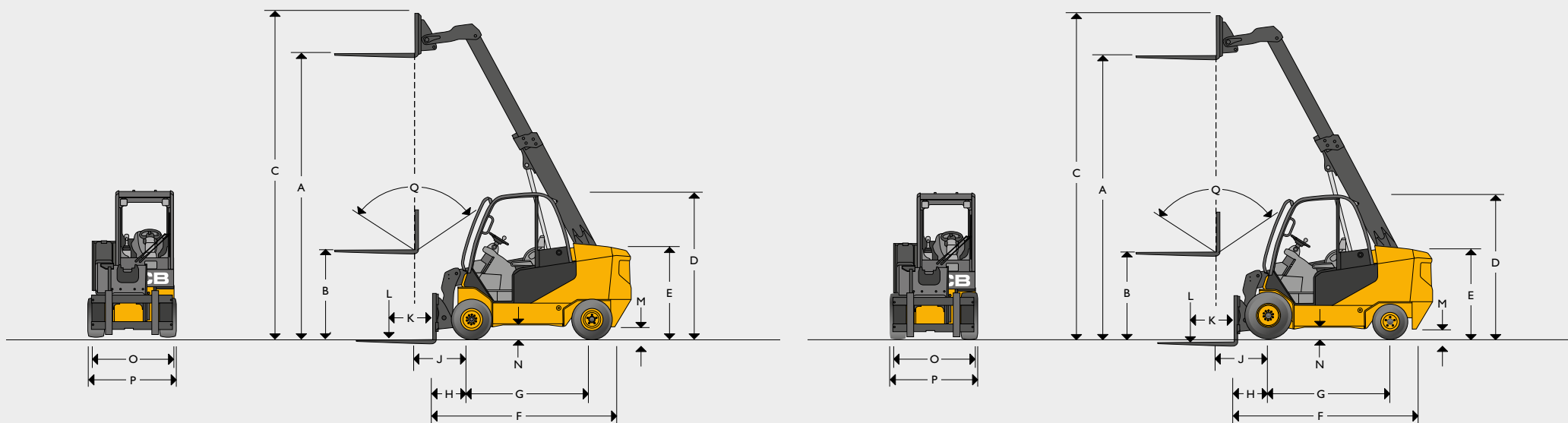
The JCB CommandPlus cab ensures superior operator comfort, enabling you to gain maximum productivity from this uniquely versatile machine.

Willshees's
cycling

www.willshees.co.uk



STATIC DIMENSIONS



STATIC DIMENSIONS

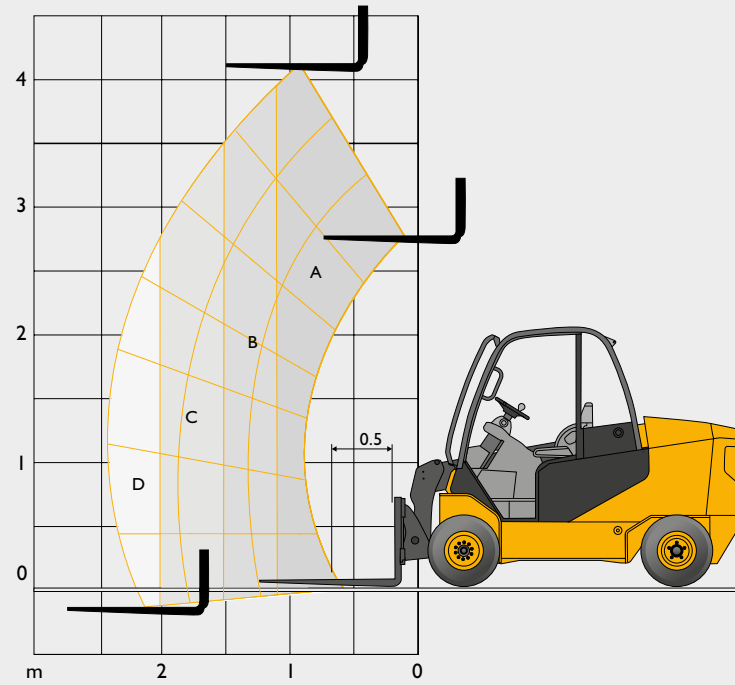
Model	30-19D	30-20D HL	30-23D	
A	Lift height mm	4400	5150	4400
B	Free lift (standard) mm	1410	1410	1410
C	Height (boom extended) mm	4975	4975	4975
D	Height of overhead guard (standard/low) mm	2220/2140*	2220/2140*	2220/2140*
E	Height of operators seat mm	1140	1140	1140
F	Length to fork face mm	3106	3106	3106
G	Wheelbase mm	1950	1950	1950
H	Distance from c/l of front axle to fork face mm	529	529	529
J	Distance from c/l of front axle to fork face (full height) mm	729	729	729
K	Load centre mm	500	600	500
L	Lift capacities (with sideshift) kg	3000	3000	3000
M	Ground clearance (lowest point) mm	103	103	103
N	Ground clearance (wheelbase centre) mm	129	129	129
O	Fork carriage width mm	1200	1200	1200
P	Maximum width of machine mm	1300	1300	1300
Q	Carriage tilt total degrees	111	111	111

*Low option only available on construction and waste models.

GENERAL SPECIFICATION

Model		30-19D		30-20D HL		30-23D 4x4
Engine manufacturer		Kohler		Kohler		Kohler
Tier compliant		STV		STV		STV
Engine model		KDI2504		KDI2504		KDI2504
Engine output (gross power)		46kW @ 2600RPM		46kW @ 2600RPM		46kW @ 2600RPM
Cubic capacity	cm ³	2504		2504		2504
Rated RPM		2600		2600		2600
Number of cylinders		4		4		4
Working pressure attachments	bar	170		170		170
Oil flow for attachments (standard / high)	lpm	28/70		28/70		28/70
Maximum reach ground level (500mm load centre)	mm	2230		2230		2230
Maximum reach boom horizontal (500mm load centre)	mm	2390		2390		2390
Turning radius mm	mm	2885		2885		3500
Aisle width 90 stacking 800x1200/1000x1200	mm	4480/4680		4480/4680		5060/5260
Weight unladen	kg	5200		5750		5600
Travel speed (standard)	kph	20		20		20
Gradeability (unladen)	kph	21		21		23
Transmission		Hydrostatic		Hydrostatic		TCR/Hydrostatic
Park break type		Hand		Hand		Hand
Shovel rated capacity	m ³	0.6		0.6		0.6
Shovel struck capacity	m ³	0.5		0.5		0.5
Shovel dump height (30)	mm	2680		2680		2680
Shovel rollback angle at ground	degrees	37		37		33
Shovel width	mm	1385		1385		1385
Tyres PPS (Semi solid) P (Pneumatic)		PPS/P		PPS/P		PPS/P/FOAM
Tyre size front (standard)		27 x 10 x 12		27 x 10 x 12		27 x 10 x 12
Tyre size rear (standard)		23 x 9 x 10		23 x 9 x 10		27 x 10 x 12
Diesel tank capacity litres	litres	50		50		49

LIFT CAPACITIES



Capacity bands	30-19D
A	3000kg
B	2500kg
C	1950kg
D	1500kg
@ 2 metres	1950kg

Capacity bands	30-20D HL
A	3000kg
B	2500kg
C	2000kg
D	1750kg
@ 2 metres	2000kg

Capacity bands	30-23D 4x4
A	3000kg
B	2600kg
C	2300kg
D	1650kg
@ 2 metres	2300kg

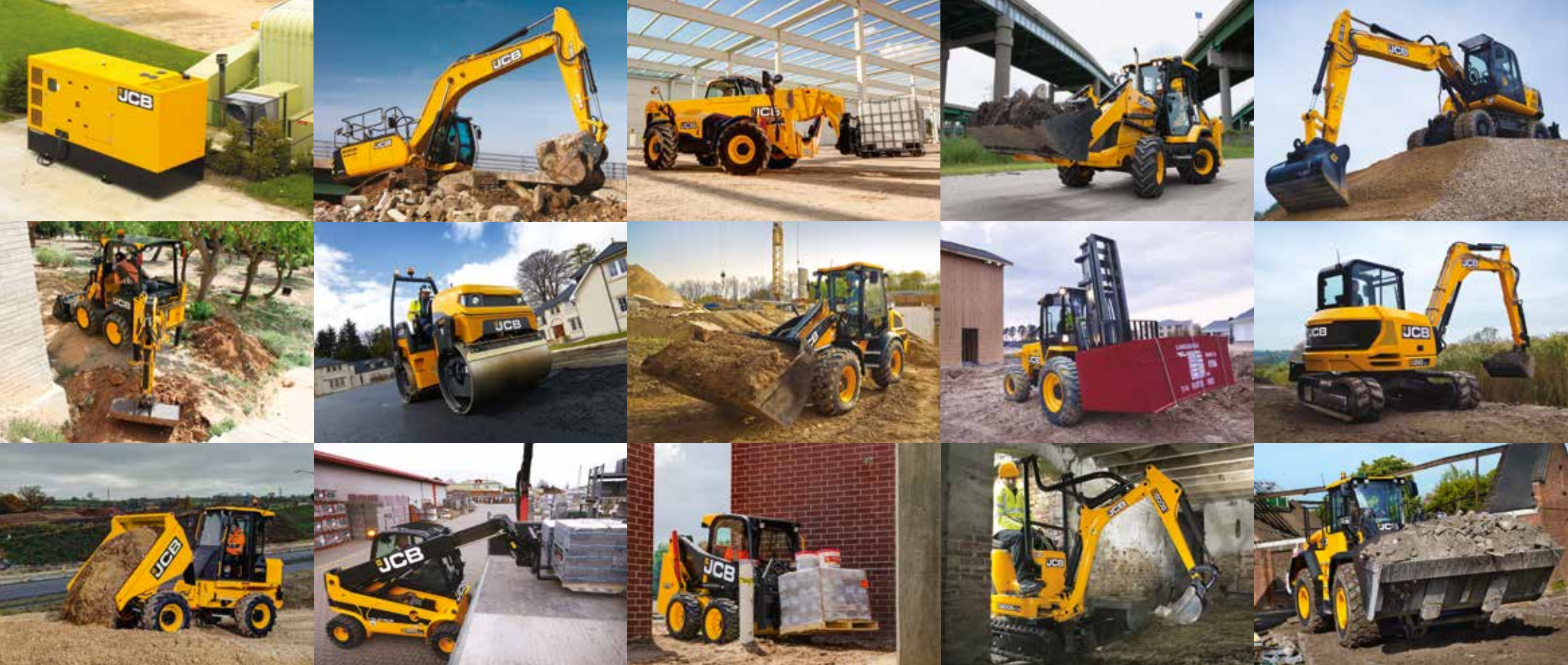


JCB

eco

JCB
TELETRUK

30.230



ONE COMPANY, OVER 300 MACHINES.

Your nearest JCB dealer

Teletruk 30-19D/30-20D HL/30-23D

Max capacity: 3500kg Max capacity at 2m forward reach: 1900-2600kg Max lift height: 5150mm

JCB Sales Limited, Rokester, Staffordshire, United Kingdom ST14 5JP.

Tel: +44 (0)1889 590312 Email: salesinfo@jcb.com

Download the very latest information on this product range at: www.jcb.com

©2021 JCB Sales. All rights reserved. No part of this publication may be reproduced, stored in a retrieval system, or transmitted in any form or by any other means, electronic, mechanical, photocopying or otherwise, without prior permission from JCB Sales. All references in this publication to operating weights, sizes, capacities and other performance measurements are provided for guidance only and may vary dependant upon the exact specification of machine. They should not therefore be relied upon in relation to suitability for a particular application. Guidance and advice should always be sought from your JCB Dealer. JCB reserves the right to change specifications without notice. Illustrations and specifications shown may include optional equipment and accessories. All images are correct at time of print. The JCB logo is a registered trademark of J C Bamford Excavators Ltd.

